

Montage-Werkzeugsatz für flexible Keilrippenriemen



Das Werkzeugset dient der Montage von flexiblen Keilrippenriemen. Flexible Keilrippenriemen benötigen keine Spannrolle. Für die zerstörungsfreie Montage wird dieses Werkzeug benötigt.

Werkzeug	Hersteller	Modell	Motor	Motorcode
1	BMW	325, 330, 335, 525, 530, 535, 730	2.5D	M57N256D2
			3.0D	M57306D3 M57306D4 M57306D5 M57D30A M57N206D3 M57N2306D3 M56N306D2 M57N306D3 M57N306D5 N57N306D2 N57N306D3

Werkzeug	Hersteller	Modell	Motor	Motorcode
2	AUDI	A3	1.6D	CAYB, CAYC
			2.0D	AZV, BKD BMM, BMN CBAA, CBAB CBBB, CFFA CFFB, CFFB
	SEAT	Altea Ibiza	1.6D	CAYB, CAYC
			2.0D	CEGA
	SKODA	Octavia Yeti	1.6D	CAYC
			2.0D	CBDB, CEGA
	VOLKSWAGEN	Eos Golf Passat Polo Scirocco	1.6D	CAYA, CAYB, CAYC
			2.0D	CBAA, CBAB, CBAC, CBBB CBDA, CBDB, CBDC, CFFA CFFB, CJAA

Werkzeug	Hersteller	Modell	Motor	Motorcode		
3	BMW	118, 120, 318 320, 325, 330 335, 520, 525 530, 535, 635 720, X3, X5	2.0D	M47N		
			2.5D	M57N256D2		
			3.0D	M57306D3, M57306D4 M57306D5, M57D30A M57N206D3 M57N2306D3 M56N306D2 M57N306D3 M57N306D5 N57N306D2 N57N306D3, M57N, N57N		
			CHRYSLER (USA)	Grand Voyager Voyager	2.5D	EDK, ENC, ENJ
					2.8D	ENR
			FORD (EUROPA)	C-Max Focus C-Max Mondeo Tourneo Transit	1.4	C24HDEZ, ZH14ASDA
	1.6	C16HDDZ, C16HDEZ ZH16HWDA, ZH16HXDA				
	1.8	CH18HDEA, ZH18CSDA ZH18Q7DA, ZH18Q7DE ZH18Q7FA, ZH18QQDA ZH18QQDB				
	2.0	C20HDEA, C20HDEH ZH20AODA, ZH20AODB ZH20HDEA				
	2.0D	ABFA, ABFB, D3FA, F3FA, FIFA				
	2.2D	P8FA, PGFA QVFA, QWFA				
	MAZDA	3 5 Axela	1.8	L823		
			2.0	LF50, LF5H, LF5W, LF72, LFD7, LFF7, LFN7, LFN8,LFZ2		
	MERCEDES	Sprinter, Viano, Vito	3.0D	642990, 642992, 642993		
	PEUGEOT	206,207,307,Boxer	1.4D	DV4TD, DV4ATED, DV4ATED4		
			1.6D	DV6ATED4, DV6TED4		
			2.2D	22DT		
			3.0D	F30DT		
	CITROEN	C2,C3,C4,Jumper,Relay	1.4D	DV4TD, DV4ATED, DV4ATED4		
			1.6D	DV6ATED4, DV6TED4		
			2.2D	22DT		
			3.0D	F30DT		
	FIAT	Albea, Doblo, Ducato, Fiorino, Fiorino Qubo, Linea, Palio, Siena,Stilo, Strada Pickup	1.6	182B6000		
			1.3JTD	188A, 199A, 223A		
			2.2D	4HV		
			2.3D	F1AE		
	IVECO	Daily	3.0D	F1ACE		
			2.3D	F1AE		
	VOLVO	C30, S40, V50	3.0D	F1CE		
			1.6	B4164S3		
1.8			B4118S8, B4184S11			
		2.0	B4204S3			

Werkzeug	Hersteller	Modell	Motor	Motorcode
4	FIAT	Doblo, Marea, Multipla	1.6	182A4000, 182B5098, 182B6000, 182B6000LPG, 186A3000LPG, 186A4000
	FORD (EUROPA)	Courier, Fiesta, Fusion	1.2	ZH12FUJA, ZH12FUJB, ZH12M7JB
			1.4	ZH14FXJA, ZH14FXJB
			1.6	ZH16FYDC, ZH16FYJA, ZH16FYJB
	MAZDA	2	1.2 1.4 1.6	FUJA FXJA FYJA
	LANCIA	Lybra	1.6	182B6000

Werkzeug	Hersteller	Modell	Motor	Motorcode
5 & 6	CITROEN	Jumper, Relay	2.2D	22DT
	FIAT	DUCATO	2.2D	4HF
	FORD	Transit, Transit Tourneo	2.2D	C22DDOP, PGFA, P8FA, QVFA, QWFA
	MITSUBISHI	ASX	1.8D	4N1
	PEUGEOT	Boxer	2.2D	22DT

Werkzeug	Hersteller	Modell	Motor	Motorcode
7 & 8	FORD (EUROPA)	C-Max, Courier, Fiesta, Focus, Fusion	1.2	C12HM7AD, C12LM7AA, ZH12FUJA, ZH12FUJB, ZH12M7JB
			1.4	C14HDEZ, C14HHADB, ZH14ASDA, ZH14FXDA, ZH14FXDB, ZH14FXDC, ZH14FXDD, ZH14FXJA, ZH14FXJB
			1.6	16HDEZ, CH16HDEZ, C16HHDEY, ZH16FYDA, ZH16FYDB, ZH16FYDC, ZH16FYDD, ZH16FYDH, ZH16FYJA, ZH16FYJB, ZH16HWDA, ZH16HXDA
	VOLVO	C30, S40, V50	1.6	B4164S3
	MAZDA	2	1.2 1.4 1.6	FUJA FXJA FYJA

ANWENDUNG
WERKZEUGE 2, 3, 4

Falls vorhanden, den alten Rippenriemen mit einem geeigneten Werkzeug durchtrennen.

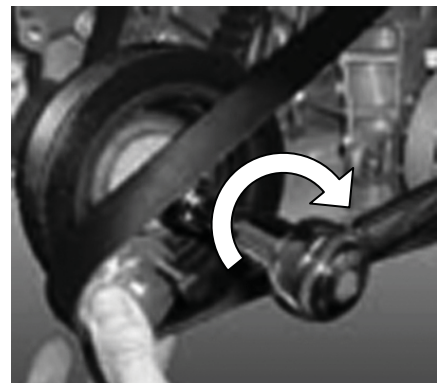
Werkzeug an die Riemenscheibe anlegen und den Abstandsbolzen so einstellen, dass das Werkzeug plan auf der Riemenscheibe aufliegt.



Den neuen Rippenriemen, wie in der Service-Literatur beschrieben, über alle Laufrollen und zum Schluss den wie in der Abbildung gezeigt über das Werkzeug legen.



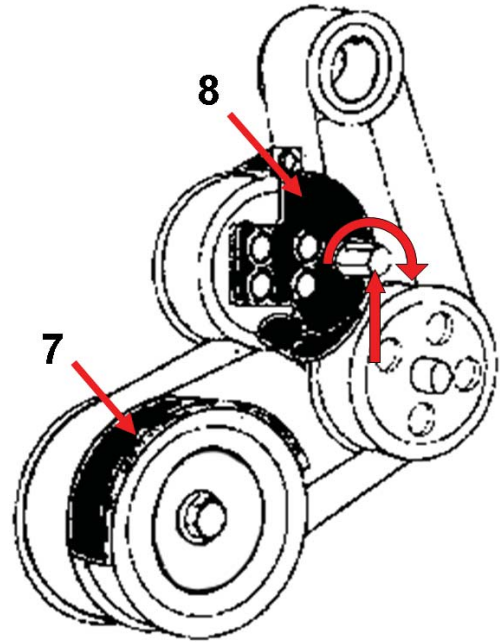
Durch Drehen der Kurbelwelle den Rippenriemen auf die Kurbelwellen-Riemenscheibe ziehen.



WERKZEUGE 7 & 8**DEMONTAGE**

Werkzeuge 7 und 8 wie in der Abbildung zu sehen montieren.

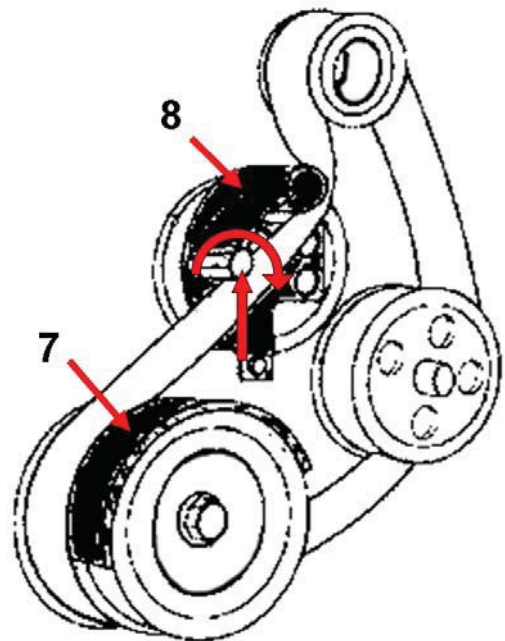
Durch Betätigen des Werkzeugs am 6-kant wird der Rippenriemen von der Rolle gezogen.

**MONTAGE**

Werkzeuge 7 und 8 wie in der Abbildung zu sehen montieren.

Den neuen Rippenriemen über alle Laufrollen und zum Schluss, wie in der Abbildung gezeigt, über das Werkzeug legen.

Durch Betätigen des Werkzeugs am 6-kant wird der Rippenriemen auf die Rolle gezogen.



MOUNTING TOOL SET FOR FLEXIBLE MULTI RIBBED BELT



This tool set allows damage free mounting of flexible multi-ribbed belts.
Flexible belt drive requires no idler, but this particular assembly tool.

Tool	Manufacturer	Model	Engine	Engine Code
1	BMW	325, 330, 335, 525, 530, 535, 730	2.5D	M57N256D2
			3.0D	M57306D3 M57306D4 M57306D5 M57D30A M57N206D3 M57N2306D3 M56N306D2 M57N306D3 M57N306D5 N57N306D2 N57N306D3

Tool	Manufacturer	Model	Engine	Engine Code
2	AUDI	A3	1.6D	CAYB, CAYC
			2.0D	AZV, BKD BMM, BMN CBAA, CBAB CBBB, CFFA CFFB, CFFB
	SEAT	Altea Ibiza	1.6D	CAYB, CAYC
			2.0D	CEGA
	SKODA	Octavia Yeti	1.6D	CAYC
			2.0D	CBDB, CEGA
	VOLKSWAGEN	Eos Golf Passat Polo Scirocco	1.6D	CAYA, CAYB, CAYC
			2.0D	CBAA, CBAB, CBAC, CBBB CBDA, CBDB, CBDC, CFFA CFFB, CJAA

Tool	Manufacturer	Model	Engine	Engine Code	
3	BMW	118, 120, 318 320, 325, 330 335, 520, 525 530, 535, 635 720, X3, X5	2.0D	M47N	
			2.5D	M57N256D2	
			3.0D	M57306D3, M57306D4 M57306D5, M57D30A M57N206D3 M57N2306D3 M56N306D2 M57N306D3 M57N306D5 N57N306D2 N57N306D3, M57N, N57N	
			2.5D	Grand Voyager Voyager	EDK, ENC, ENJ
					2.8D
			FORD (EUROPE)	C-Max Focus C-Max Mondeo Tourneo Transit	1.4
	1.6	C16HDDZ, C16HDEZ ZH16HWDA, ZH16HXDA			
	1.8	CH18HDEA, ZH18CSDA ZH18Q7DA, ZH18Q7DE ZH18Q7FA, ZH18QQDA ZH18QQDB			
	2.0	C20HDEA, C20HDEH ZH20AODA, ZH20AODB ZH20HDEA			
	2.0D	ABFA, ABFB, D3FA, F3FA, FIFA			
	2.2D	P8FA, PGFA QVFA, QWFA			
	MAZDA	3 5 Axela	1.8	L823	
			2.0	LF50, LF5H, LF5W, LF72, LFD7, LFF7, LFN7, LFN8,LFZ2	
	MERCEDES	Sprinter, Viano, Vito	3.0D	642990, 642992, 642993	
	PEUGEOT	206,207,307,Boxer	1.4D	DV4TD, DV4ATED, DV4ATED4	
			1.6D	DV6ATED4, DV6TED4	
			2.2D	22DT	
			3.0D	F30DT	
	CITROEN	C2,C3,C4,Jumper,Relay	1.4D	DV4TD, DV4ATED, DV4ATED4	
			1.6D	DV6ATED4, DV6TED4	
			2.2D	22DT	
			3.0D	F30DT	
	FIAT	Albea, Doblo, Ducato, Fiorino, Fiorino Qubo, Linea, Palio, Siena,Stilo, Strada Pickup	1.6	182B6000	
			1.3JTD	188A, 199A, 223A	
			2.2D	4HV	
			2.3D	F1AE	
	IVECO	Daily	3.0D	F1ACE	
			2.3D	F1AE	
	VOLVO	C30, S40, V50	3.0D	F1CE	
			1.6	B4164S3	
1.8			B4118S8, B4184S11		
		2.0	B4204S3		

Tool	Manufacturer	Model	Engine	Engine Code
4	FIAT	Doblo, Marea, Multipla	1.6	182A4000, 182B5098, 182B6000, 182B6000LPG, 186A3000LPG, 186A4000
	FORD (EUROPE)	Courier, Fiesta, Fusion	1.2	ZH12FUJA, ZH12FUJB, ZH12M7JB
			1.4	ZH14FXJA, ZH14FXJB
			1.6	ZH16FYDC, ZH16FYJA, ZH16FYJB
	MAZDA	2	1.2 1.4 1.6	FUJA FXJA FYJA
	LANCIA	Lybra	1.6	182B6000

Tool	Manufacturer	Model	Engine	Engine Code
5 & 6	CITROEN	Jumper, Relay	2.2D	22DT
	FIAT	DUCATO	2.2D	4HF
	FORD	Transit, Transit Tourneo	2.2D	C22DDOP, PGFA, P8FA, QVFA, QWFA
	MITSUBISHI	ASX	1.8D	4N1
	PEUGEOT	Boxer	2.2D	22DT

Tool	Manufacturer	Model	Engine	Engine Code
7 & 8	FORD (EUROPE)	C-Max, Courier, Fiesta, Focus, Fusion	1.2	C12HM7AD, C12LM7AA, ZH12FUJA, ZH12FUJB, ZH12M7JB
			1.4	C14HDEZ, C14HHCDB, ZH14ASDA, ZH14FXDA, ZH14FXDB, ZH14FXDC, ZH14FXDD, ZH14FXJA, ZH14FXJB
			1.6	16HDEZ, CH16HDEZ, C16HHDEY, ZH16FYDA, ZH16FYDB, ZH16FYDC, ZH16FYDD, ZH16FYDH, ZH16FYJA, ZH16FYJB, ZH16HWDA, ZH16HXDA
	VOLVO	C30, S40, V50	1.6	B4164S3
	MAZDA	2	1.2 1.4 1.6	FUJA FXJA FYJA

INSTRUCTION
TOOLS 2, 3, 4

If present, cut the old belt with an appropriate tool.

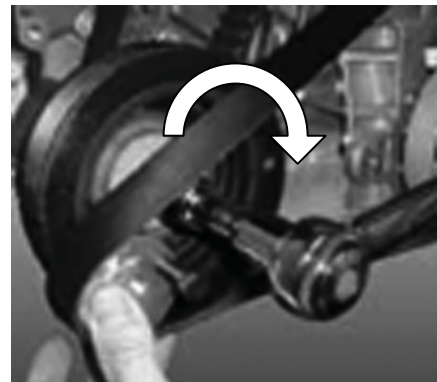
Apply tool to the belt pulley and adjust the distance bolt, so that the tool lies flat on top of the belt pulley.



Cock the new belt, as described in corresponding handbooks, over all rollers and finally, as shown in the picture, over the tool.



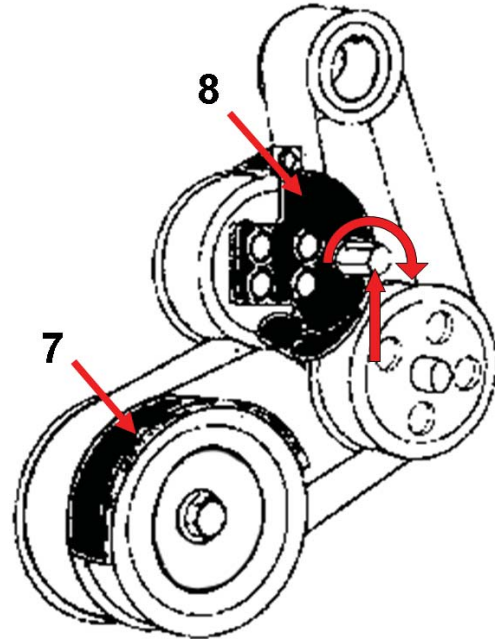
Pull the multi-ribbed belt onto the crankshaft belt pulley by turning the crankshaft.



TOOLS 7 & 8**DISASSEMBLY**

Install the tools 7 and 8 as shown in the figure.

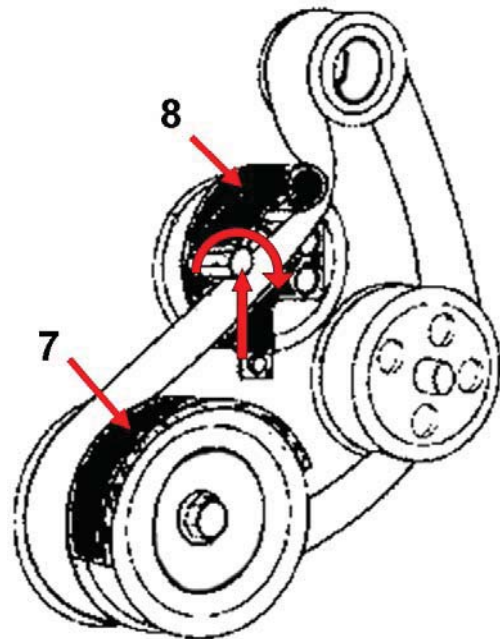
Turning the tool, operate the hex bolt until the flexible ribbed belt is dismantled.

**MOUNTING**

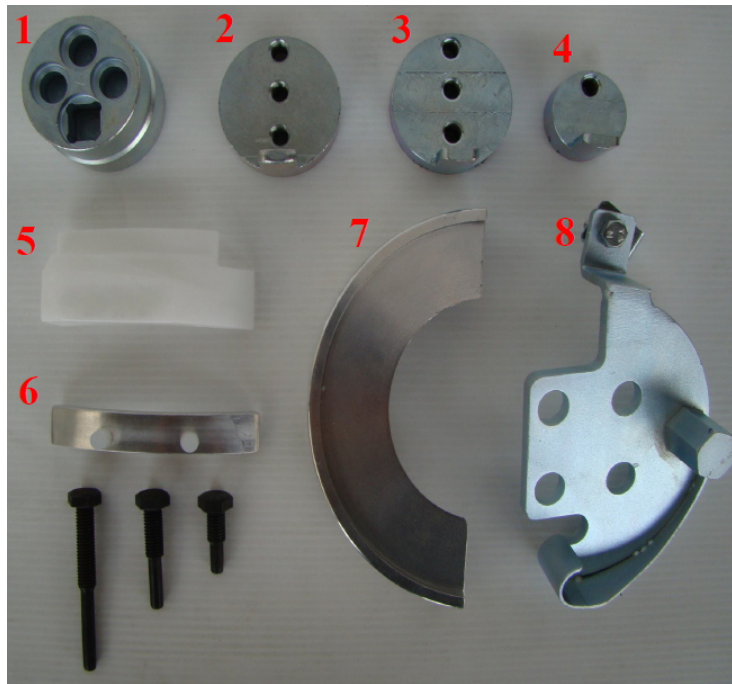
Install the tools 7 and 8 as shown in the figure.

Mount the new flexible ribbed belt over all pulleys and finally on the tool as shown in the figure.

Turning the tool, operate the hex bolt until the flexible ribbed belt is drawn to the pulley.



JUEGO de HERRAMIENTAS de MONTAJE de CORREAS FLEXIBLES ACANALADAS sin TENSOR



Este conjunto de herramientas permite el montaje libre de daños de correas acanaladas flexibles. El accionamiento por correa flexible no requiere de tensión, pero esta herramienta es particularmente adecuada.

Herramienta	Fabricante	Modelo	Motor	Código del motor
1	BMW	325, 330, 335, 525, 530, 535, 730	2.5D	M57N256D2
			3.0D	M57306D3 M57306D4 M57306D5 M57D30A M57N206D3 M57N2306D3 M56N306D2 M57N306D3 M57N306D5 N57N306D2 N57N306D3

Herramienta	Fabricante	Modelo	Motor	Código del motor
2	AUDI	A3	1.6D	CAYB, CAYC
			2.0D	AZV, BKD, BMM, BMN CBAA, CBAB, CBBB, CFFA CFFB, CFGB
	SEAT	Altea Ibiza	1.6D	CAYB, CAYC
			2.0D	CEGA
	SKODA	Octavia Yeti	1.6D	CAYC
			2.0D	CBDB, CEGA
	VOLKSWAGEN	Eos Golf, Passat Polo, Scirocco	1.6D	CAYA, CAYB, CAYC
			2.0D	CBAA, CBAB, CBAC, CBBB, CBDA, CBDB, CBDC, CFFA, CFFB, CJAA

Herramienta	Fabricante	Modelo	Motor	Código del motor
3	BMW	118, 120, 318 320, 325, 330 335, 520, 525 530, 535, 635 720, X3, X5	2.0D	M47N
			2.5D	M57N256D2
			3.0D	M57306D3, M57306D4 M57306D5, M57D30A M57N206D3 M57N2306D3 M56N306D2 M57N306D3 M57N306D5 N57N306D2 N57N306D3, M57N, N57N
	CHRYSLER (USA)	Grand Voyager Voyager	2.5D	EDK, ENC, ENJ
			2.8D	ENR
	FORD (EUROPE)	C-Max Focus C-Max Mondeo Tourneo Transit	1.4	C24HDEZ, ZH14ASDA
			1.6	C16HDDZ, C16HDEZ ZH16HWDA, ZH16HXDA
			1.8	CH18HDEA, ZH18CSDA ZH18Q7DA, ZH18Q7DE ZH18Q7FA, ZH18QQDA ZH18QQDB
			2.0	C20HDEA, C20HDEH ZH20AODA, ZH20AODB ZH20HDEA
			2.0D	ABFA, ABFB, D3FA, F3FA, FIFA
			2.2D	P8FA, PGFA QVFA, QWFA
	MAZDA	3 5 Axela	1.8	L823
			2.0	LF50, LF5H, LF5W, LF72, LFD7, LFF7, LFN7, LFN8,LFZ2
	MERCEDES	Sprinter, Viano, Vito	3.0D	642990, 642992, 642993
	PEUGEOT	206,207,307,Boxer	1.4D	DV4TD, DV4ATED, DV4ATED4
			1.6D	DV6ATED4, DV6TED4
			2.2D	22DT
			3.0D	F30DT
	CITROEN	C2,C3,C4,Jumper,Relay	1.4D	DV4TD, DV4ATED, DV4ATED4
			1.6D	DV6ATED4, DV6TED4
			2.2D	22DT
			3.0D	F30DT
	FIAT	Albea, Doblo, Ducato, Fiorino, Fiorino Qubo, Linea, Palio, Siena,Stilo, Strada Pickup	1.6	182B6000
			1.3JTD	188A, 199A, 223A
			2.2D	4HV
			2.3D	F1AE
	IVECO	Daily	3.0D	F1ACE
			2.3D	F1AE
	VOLVO	C30, S40, V50	3.0D	F1CE
			1.6	B4164S3
			1.8	B4118S8, B4184S11
			2.0	B4204S3

Herramienta	Fabricante	Modelo	Motor	Código del motor
4	FIAT	Doblo, Marea, Multipla	1.6	182A4000, 182B5098, 182B6000, 182B6000LPG, 186A3000LPG, 186A4000
	FORD (EUROPE)	Courier, Fiesta, Fusion	1.2	ZH12FUJA, ZH12FUJB, ZH12M7JB
			1.4	ZH14FXJA, ZH14FXJB
			1.6	ZH16FYDC, ZH16FYJA, ZH16FYJB
	MAZDA	2	1.2 1.4 1.6	FUJA FXJA FYJA
	LANCIA	Lybra	1.6	182B6000

Herramienta	Fabricante	Modelo	Motor	Código del motor
5 & 6	CITROEN	Jumper, Relay	2.2D	22DT
	FIAT	DUCATO	2.2D	4HF
	FORD	Transit, Transit Tourneo	2.2D	C22DDOP, PGFA, P8FA, QVFA, QWFA
	MITSUBISHI	ASX	1.8D	4N1
	PEUGEOT	Boxer	2.2D	22DT

Herramienta	Fabricante	Modelo	Motor	Código del motor
7 & 8	FORD (EUROPE)	C-Max, Courier, Fiesta, Focus, Fusion	1.2	C12HM7AD, C12LM7AA, ZH12FUJA, ZH12FUJB, ZH12M7JB
			1.4	C14HDEZ, C14HHADB, ZH14ASDA, ZH14FXDA, ZH14FXDB, ZH14FXDC, ZH14FXDD, ZH14FXJA, ZH14FXJB
			1.6	16HDEZ, CH16HDEZ, C16HHDEY, ZH16FYDA, ZH16FYDB, ZH16FYDC, ZH16FYDD, ZH16FYDH, ZH16FYJA, ZH16FYJB, ZH16HWDA, ZH16HXDA
	VOLVO	C30, S40, V50	1.6	B4164S3
	MAZDA	2	1.2 1.4 1.6	FUJA FXJA FYJA

INSTRUCCIONES
HERRAMIENTAS 2, 3, 4

Si está presente, corte la correa vieja con una herramienta adecuada

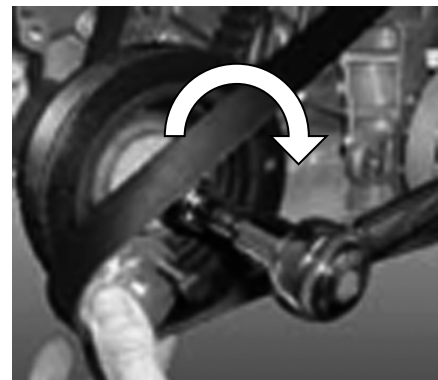
Aplicar la herramienta a la polea de la correa y ajustar el perno de distancia, de modo que la herramienta quede plana en la parte superior de la polea de la correa.



Coloque la nueva correa, como se describe en los manuales correspondientes, sobre todos los rodillos y, por último, como se muestra en la imagen, sobre la herramienta.



Tire de la correa acanalada en la polea del cigüeñal girando el propio cigüeñal

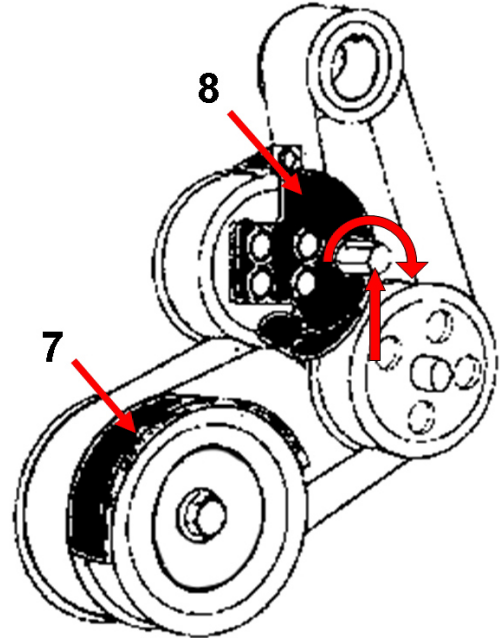


HERRAMIENTAS 7 & 8

DESMONTAJE

Instale las herramientas 7 y 8 como se muestra en la figura.

Conectada la herramienta, utilice el perno hexagonal hasta que desmonte la cinta acanalada flexible.



MONTAJE

Instale las herramientas 7 y 8 como se muestra en la imagen.

Monte la nueva correa acanalada flexible sobre todas las poleas y, finalmente, en la herramienta tal como se muestra en la figura.

Una vez encendida la herramienta, utilice el perno hexagonal hasta que la correa se extienda hasta la polea.

